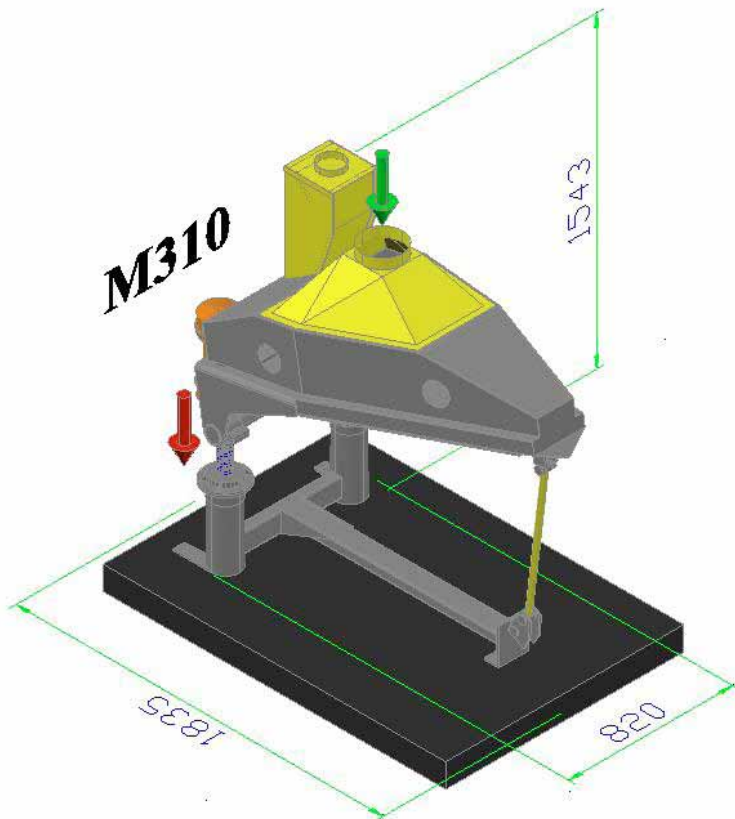


C.M.F.

SPIETRATORE Stone Remover of Seeds



KW	MAIS (Kg/mc)	H ₂ O%	t/h
1,00	750	15%	750
		20%	5,50
		24%	3,75
		28%	2,25