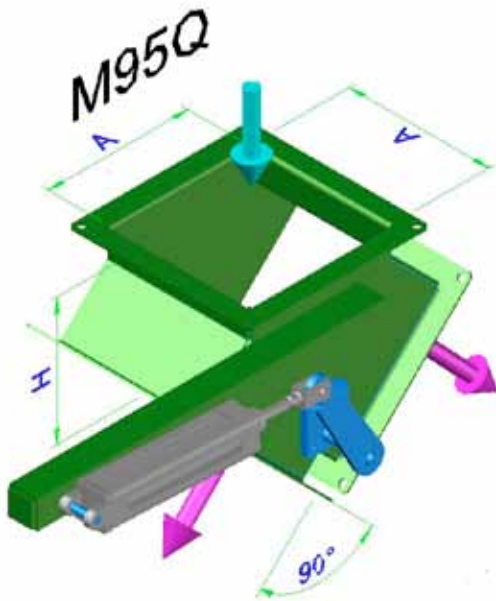
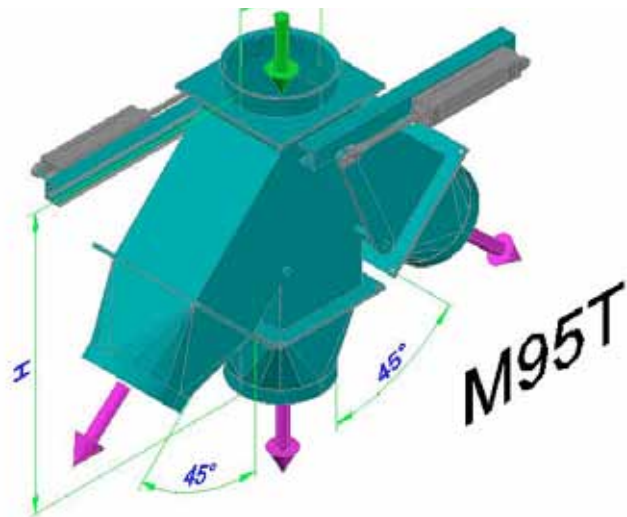


VALVOLE DEVIATRICI Manual or Pneumatic Shifter



	A	H
M95Q150	120	133
M95Q200	150	239
M95Q250	200	318

	Ø	H
M95ST150	120	468
M95ST200	150	517
M95ST250	200	604



	Ø	H
M95D150	120	240
M95D200	150	280
M95D250	200	315
M95D250	250	420

